



## Cat. Nos. 0561 Series Gas Tank Vent with Swivel Elbow

### INSTALLATION INSTRUCTIONS

Read all directions before proceeding.

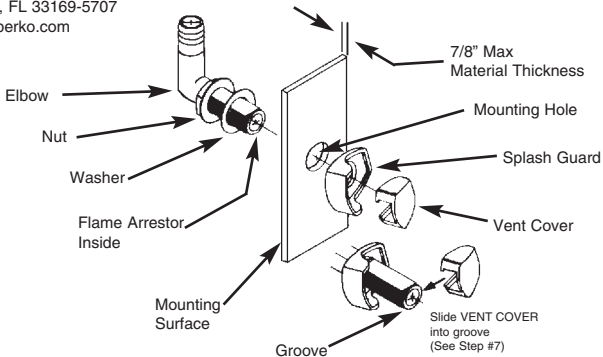
- 1). Tank vent must be installed in accordance with U.S.C.G. Safety Standards for Boat Gasoline Fuel Systems, #33CFR183 and A.B.Y.C. Standard H-24.
- 2). Mounting surface material thickness to be 7/8 inch maximum.
- 3). Drill 3/4 inch diameter hole in mounting surface.
- 4). Back the nut and washer towards bend in elbow.
- 5). Insert threaded portion of elbow through mounting hole and apply bedding compound around outside of the mounting hole.
- 6). Slide splash guard over protruding end of elbow and against mounting surface.
- 7). Slide vent cover FULLY into groove on protruding end of elbow.
- 8). Finger-tighten nut and washer against mounting surface.
- 9). Align vent cover and elbow to required orientation with regard to fuel venting and vent hose path.
- 10). Tighten nut while keeping elbow in a fixed position.
- 11). Install vent hose on barbed end of elbow and secure with a hose clamp.

(1). American Boat & Yacht Council, Inc.  
613 Third Street, Suite 10  
Annapolis, MD 21403

(2). U.S. Coast Guard  
Washington, D.C. 20593  
(or your local C.G. office)

# PERKO, INC

16490 N.W. 13th Avenue  
Miami, FL 33169-5707  
www.perko.com



(Over)