

Hold-Down Clamps

Lockable Hold-Down Clamps

- Material: Bronze
 Finish: Chrome Plated
 Features:
 - All mounting holes covered in closed position
 - Lockable

- Fig. 0771:
 - Adjustable "U" bolt, (custom lengths available)
 - Flat Mounting
 - Great for locking dock boxes

- Fig. 1008: • Flat Mounted with all mounting holes covered in closed position

- Fig. 1108: • Flat Mounted

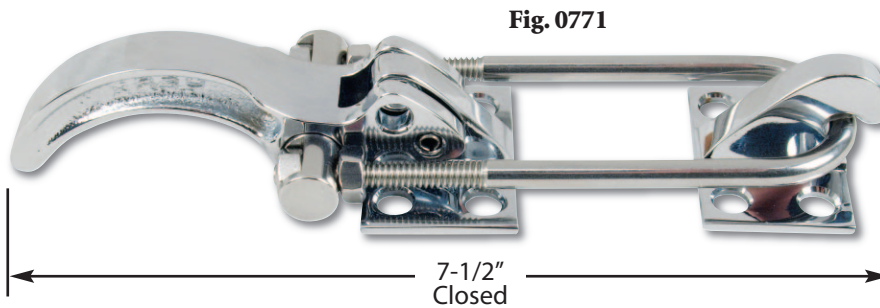


Fig. 0771

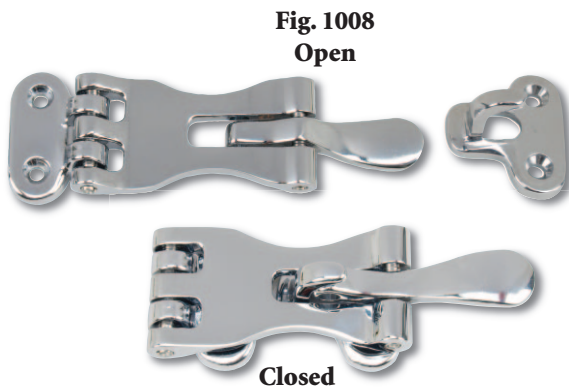


Fig. 1008
Open

Closed

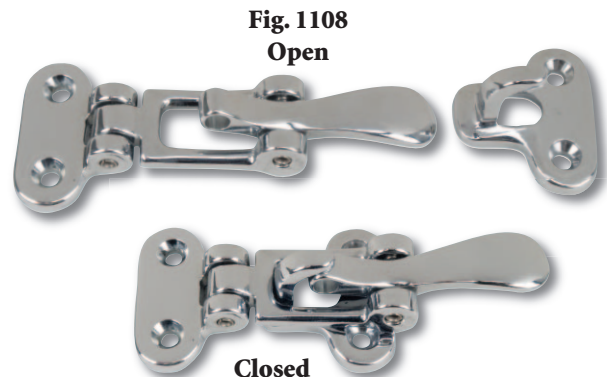


Fig. 1108
Open

Closed

Adjustable Range	Closed Length	Width	Screw Size	Max. Padlock Shank	Retail Pkg.	OEM Bulk Pkg.
1-11/16"	7-1/2"	2"	10	Up to 5/16"	0771DP0CHR	0771000CHR
-----	4-1/2"	1-3/4"	8	1/4"	1008DP0CHR	1008000CHR
-----	4-1/2"	1-3/4"	6	1/4"	1108DP0CHR	1108000CHR



Hold-Down Clamps - Flat Mount or Right Angle Mount

- Material: Bronze
 Finish: Chrome Plated
 Screw Size: #8



Fig. 1112

Fig. 1113

Mount	Length	Width	Retail Pkg	OEM Bulk Pkg.
Flat	3"	1-1/2"	1112DP0CHR	1112000CHR
Right Angle	2-1/2"	1-1/2"	1113DP0CHR	1113000CHR

