

PERKO®

Cat. No. 0170BMD12V
Cat. No. 0170BMDDP1



The above lights are designed for use on power driven vessels under 20 meters (65.6 ft.) in length. In order to comply with the '72 COLREGS (I.M.O.), U.S. Inland Rules (U.S.A.), or other appropriate authority, the following must be adhered to:

INSTALLATION INSTRUCTIONS

Read all instructions before proceeding.

- For proper light selection, positioning and configuration, refer to A.B.Y.C. Standard A-16*, the '72 COLREGS* and the U.S. Inland Rules*.
- These lights are designed to be mounted vertically on a wide range of masts. **IMPORTANT:** The mounting wings should not be overstressed outward during installation.
- Mounting Procedure for Smaller Diameter Masts** (Fixture support diameter approx. 3 inches). This procedure will prevent opening a gap in the sides of the masthead light portion of the fixture.
 - Fold the wings toward each other and almost flat against the rear body of the fixture. This will flex the "living" (flexible) hinge to relieve stiffness that pulls the fixture base away from the masthead light cover.
 - Mount the light as described below.
- On larger masts, the flexing is not necessary, as the wings are spread (rather than compressed) and tend to tighten the gap at the masthead light sides.
- The mounting position chosen for the light should be:
 - On the centerline of the boat.
 - At least one meter above the bi-color or sidelights
 - Clear of all other lights or obstacles.
 - Convenient for cleaning and bulb changing.
- Unscrew and remove the masthead lens assembly and bulb.
- Using the wings of the base as a template drill four holes to accommodate #10 mounting screws. **DO NOT COUNTER SINK THE HOLES.**
- Thread the electrical cable through the grommet in the base and the silicone sleeves provided.
- Secure the spreader light cover (cone shaped shroud) by pressing the three stainless steel spring clips into the slots as shown.
- Mount the lights using #10 round head or pan head screws. **DO NOT USE COUNTER SUNK (FLATHEAD) SCREWS.**
- Strip the insulation from the cable ends and connect to the terminal blocks, ensuring they lie clear of the bulb. Slide the silicone sleeves to cover the cable from terminal to grommet.
- Insert the bulb and attach the masthead lens assembly to the base.

Electrical Connections

Always use cable of sufficient size to ensure total voltage drop is less than 0.5 volt for a nominal 12 volt installation. Recommended minimum cable size is No. 16 AWG (1.5 mm²). Connect the cable per the wiring diagram making sure to wire in accordance with A.B.Y.C. Standards E-9*, U.S. Coast Guard Safety Standards for Boat Electrical Systems (33 CFR 183)* or electrical standards required by another appropriate authority.

Bulbs

Use only PERKO® Cat. No. 0070DP1CLR 12V, 15W for the masthead section and PERKO® Cat. No. 006812V20W for the deck light section.

Cleaning

Use only fresh water and mild detergents to clean.

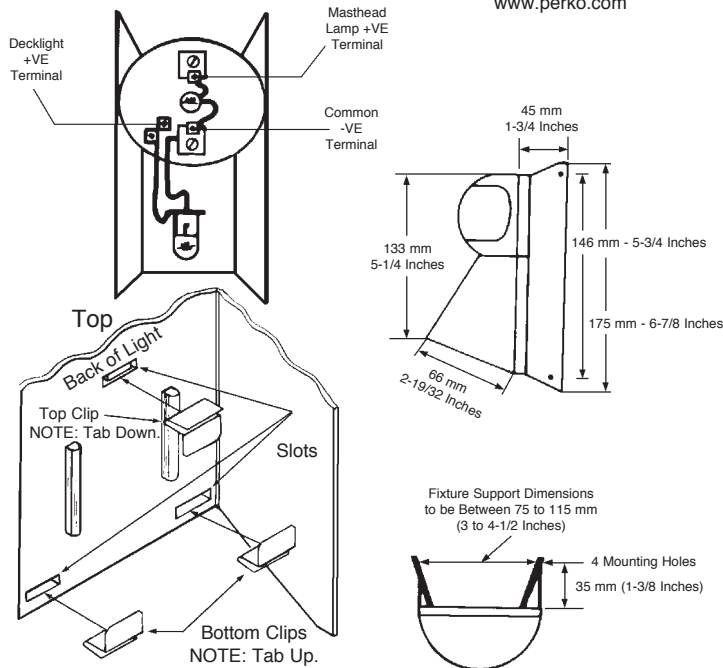
*The above referenced standards can be obtained from:

1) American Boat & Yacht Council, Inc
613 Third Street, Suite 10
Annapolis, MD 21403

2) U.S. Coast Guard
Washington D.C. 20593
(or your local C.G. office)

02/19
0170INS2

PERKO, INC.
16490 N.W. 13th Avenue
Miami, FL 33169-5707
www.perko.com



The PERKO Cat. No. 0170BMD should be connected in such a way that both lights cannot be switched on simultaneously.

Suggested circuits are shown below for either 2 or 3 wire supply cable.

