

## INSTALLATION INSTRUCTIONS

### PLEASE READ ALL INSTRUCTIONS BEFORE PROCEEDING

These valves are for use on fuel tanks to comply with the new CARB and EPA standards and meet the requirements of U.S.C.G. Safety Standards (July 31, 2011) for 40 CFR Parts 9, 60, 80 et al.) Control of Diurnal Emissions From Nonroad Spark-Ignition Engines and Equipment).

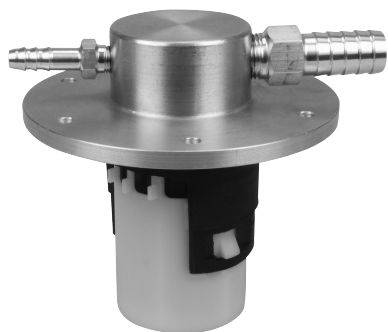
**NOTE:** These valves can be connected into a through canister refueling vent system.

**NOTE:** Installer-supplied mating components must be CARB, EPA and ABYC compliant. Mounting surface must be flat and rigid and not subject to extreme tank expansion distortion.

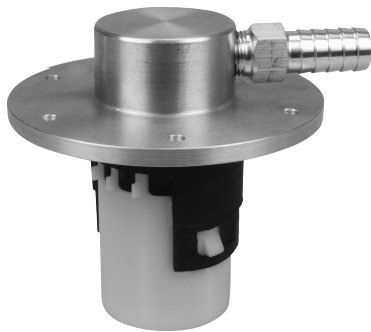
### Fuel Limit Vent Valves (FLVV) Series 0529F

1. These valves are designed to mount on aluminum or polymer surfaces.
2. Select your mounting location. Cut out mounting template attached. The template can first be utilized to form an installer-supplied mounting gasket.
3. Then attach the template to the mounting surface and drill 2" diameter hole for the valve.
4. Mark and drill mounting screw holes for #8 mounting screws. Place the gasket (customer supplied) onto the mounting surface. Make sure to orient the hose barb in the proper direction to attach the vent line.
5. Attach 5/8" vent hose onto hose barb and tighten using a hose clamp in accordance with ABYC Fuel System Vent Hose Clamping Standards (H24 Table 3).
6. Some 0529F series valves also have a 5/16" hose barb. In this case, the hose barb is connected to a (0588F series) vent valve.

Fig. 0529F Series



Twin Barb  
(5/16" & 5/8")



Single Barb  
(5/8")

\*The above referenced standards can be obtained from:

- |   |   |  |
|---|---|--|
| (1). American Boat & Yacht Council, Inc.<br>613 Third Street, Suite 10<br>Annapolis, MD 21403 | (2) U.S. Coast Guard<br>Washington, D.C. 20593<br>(or your local C.G. office) | (3). E.P.A.<br>401 "M" Street S.W.<br>Washington, D.C. 20460 |
|---|---|--|

## Mounting Template Fig. 0529F Fill Limit Vent (FLVV)

This is a  
3/4" circle in  
order to scale  
internet  
printed  
templates

