

These lights are designed for use on power driven vessels under 20 meters (65.6 ft.) in length operating on a nominal 12 volt system. In order to comply with EN/ISO 19009:2015, ABYC A-16, the '72 COLREGS and the U.S. Inland Rules, the following must be adhered to:

MOUNTING INFORMATION

Read all instructions before proceeding

- For proper light selection, positioning and configuration, refer to the EN/ISO 19009:2015 Standard, A.B.Y.C. Standard A-16*, the '72 COLREGS* and the U.S. Inland Rules*.
- These lights are designed to be mounted on a horizontal surface.
- Draw a 6 inch long reference line through the center of the selected mounting location and parallel to the centerline of the boat.
- Cut out the mounting template. Place it on the mounting surface such that the reference line (drawn above) is directly underneath the reference line marked on the template.
- Drill 3 holes through the template to accommodate #6 pan head mounting screws (not supplied). Drill a 3/8 inch hole to accommodate the electric wiring.
- Remove the screw at the back of the light holding the cover to the mounting base and skirt.
- Attach supply connections to the light, making sure to wire in accordance with both A.B.Y.C. Standard E-9* and U.S. Coast Guard Safety Standards for Boat Electrical Systems (33 CFR 183)*. **Observe polarity.**
- Place the skirt over top of the mounting base and attach base and skirt to the mounting surface using three #6 pan head mounting screws. (see Diagram 1)
- Lock the tab at the front of the cover into the notch on the base (see Diagram 2) and then lower the back of the cover down to the light base. Secure with screw removed in step 6.
- These lights use sealed L.E.D.'s and therefore are not serviceable.

* The above referenced Standards can be obtained from:

- American Boat & Yacht Council, Inc
613 Third Street, Suite 10
Annapolis, MD 21403
- U.S. Coast Guard
Washington D.C. 20593
(or your local C.G. office)
- International Standards Organization (ISO)
Ch. de Blandonnet 8 • CP 401
CH-1214 Vernier, Geneva, Switzerland

Diagram 1

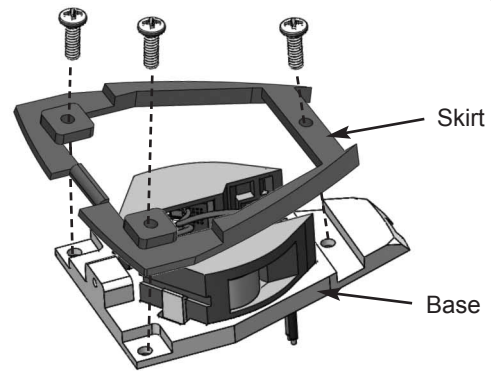
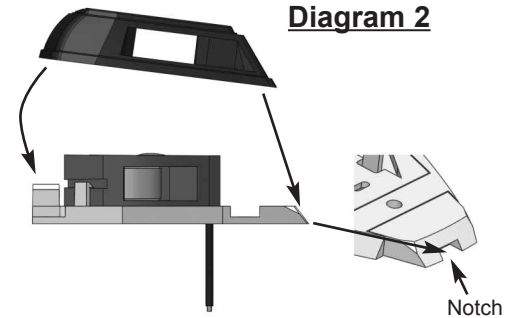
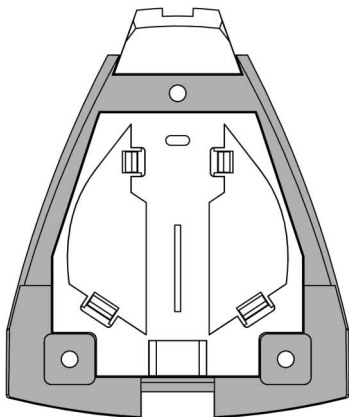


Diagram 2

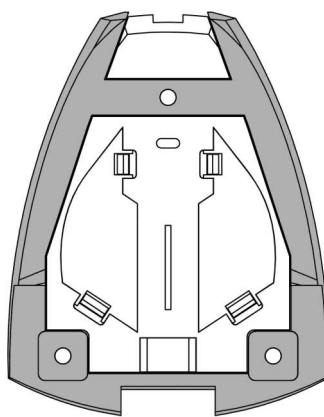


Skirt and Base Diagrams

Style 1 (Angular Cover)



Style 2 (Rounded Cover)



Complete Light

Perko Cat. Nos.:

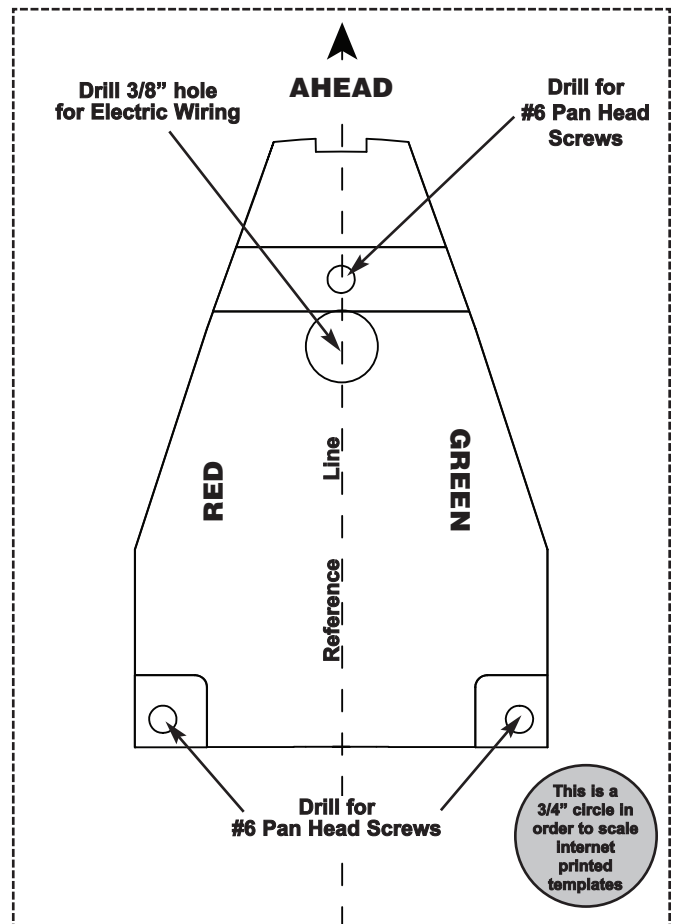
0655DP1BLK	0655001BLK
0655DP1BLS	0655001BLS
0655DP1WHT	0655001WHT
0655DP1WHS	0655001WHS
0655DP2BLK	0655002BLK
0655DP2WHT	0655002WHT

Complete Light

Perko Cat. Nos.:

0655DP2BLK	0655002BLK
0655DP2WHT	0655002WHT

TEMPLATE



This is a 3/4" circle in order to scale internet printed templates