



# Fig. 0969 Series Installation and Spare Parts Manual

Lever/Gear Control Assembly for  
Figs. 0313 and 0885 Solar-Ray® Searchlights  
8", 10", 12" & 14"



**PERKO**, INC. • 16490 N.W. 13th Avenue • Miami, FL 33169-5707 • [www.perko.com](http://www.perko.com)



## Fig. 0969 Lever/Gear Assembly Solar-Ray® Series Installation Manual

### Table of Contents

	Page
• Installation Instructions .....	3
• Spare Parts Diagram .....	4
• 7" Base Mounting Template (for Standard Pedestal OP) .....	5
• 8" Base Mounting Template (for Medium & High Pedestals MP & HP) .....	6
• Solar-Ray® Searchlight Limited Warranty .....	7



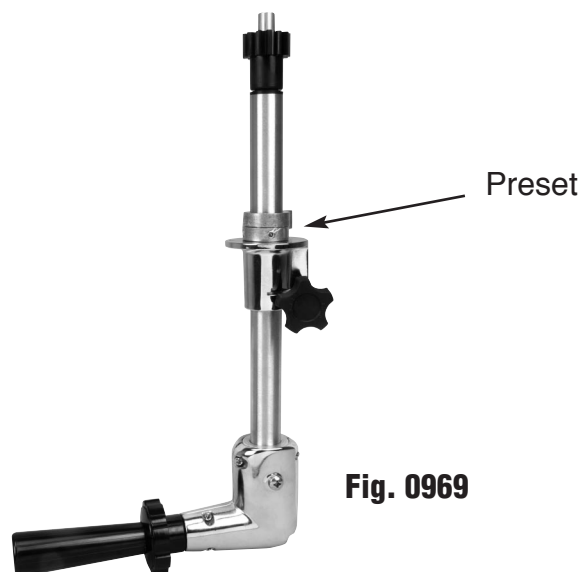
**Fig. 0969**

## **Figs. 0313 and 0885 Searchlight to be installed with Fig. 0969 Lever/Gear Control Assembly**

### **ASSEMBLY AND INSTALLATION INSTRUCTIONS**

**NOTE: STOP COLLAR ASSEMBLY ON 1 INCH CONTROL TUBE IS  
FACTORY PRE-SET AT 3-9/16 INCHES. DO NOT LOOSEN.**

1. Place Head Assembly on flat area with lens down. Remove lever/gear control assembly from box. Remove pinion gear from the control assembly. With "O" ring seal in place, insert the control assembly through the base into the main fork with the twist lever handle pointing straight up.
2. Important - to prevent leakage, apply pressure on "O" ring seal (by pushing control assembly into the base) while tightening 3 set screws in fork hub.
3. Replace pinion gear and tighten set screw.
4. Insert electric wire through searchlight base and tighten packing gland.
5. Remove twist lever handle assembly and ceiling plate from control tube and rod.
6. Select proper base mounting template for either 7" or 8" base. Drill holes in deck, per template.
7. Place searchlight assembly through the cabin roof in proper position and thru-bolt with 5/16 inch machine screws (not supplied).
8. Install ceiling plate and twist lever handle assembly.
9. Wiring must be according to applicable standards and performed by a qualified marine electrician.

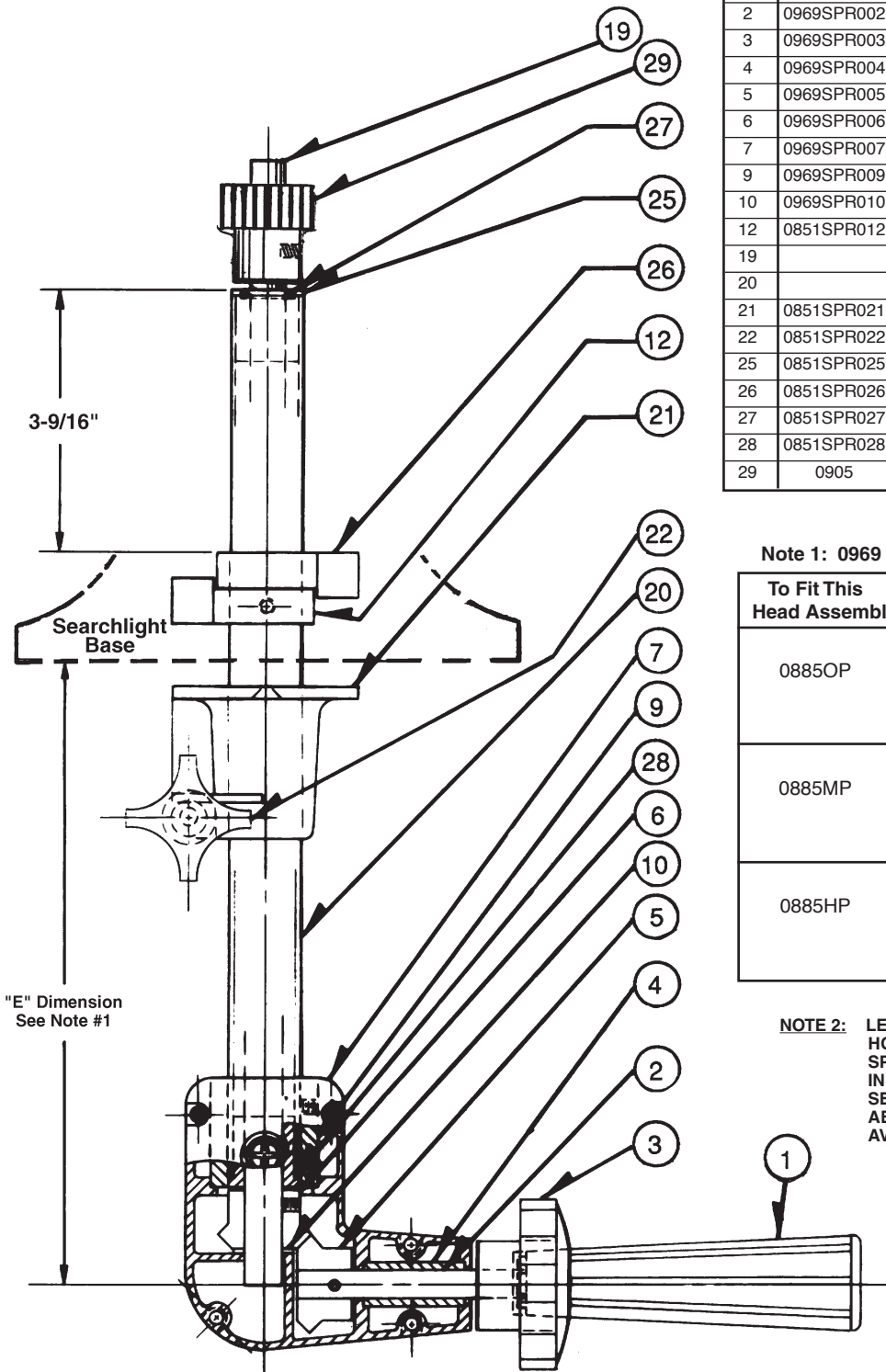


**Fig. 0969**

## 0969 Lever/Gear Control Assembly Spare Parts Diagram

### Bill of Material

Item	Spare Part	Description	Qty.
1	0969SPR001	Control Handle (Plastic)	1
2	0969SPR002	Control Shaft, 3/8 IN. Dia., S.S	1
3	0969SPR003	Vertical Lock Knob	1
4	0969SPR004	Sleeve Bushing	1
5	0969SPR005	Control Gear 3/8 IN. Bore	1
6	0969SPR006	Control Gear 1/2 IN. Bore	1
7	0969SPR007	Control Housing With Screws	1
9	0969SPR009	Adapt. Bush.(Alum.) w/Set Screw	1
10	0969SPR010	Thrust Washer (Plastic)	1
12	0851SPR012	Fixed Stop Collar	1
19		Vert. Control Rod (See Note #2)	1
20		Horiz. Control Tube (See Note #2)	1
21	0851SPR021	Horizontal Lock/Ceiling Plate	1
22	0851SPR022	Lock Knob With Spacer	1
25	0851SPR025	Upper Control Tube Bushing	1
26	0851SPR026	Floating Stop Collar	1
27	0851SPR027	O-Ring Seal	1
28	0851SPR028	Lower Control Tube Bushing	1
29	0905	Pinion Gear (Plastic)	1



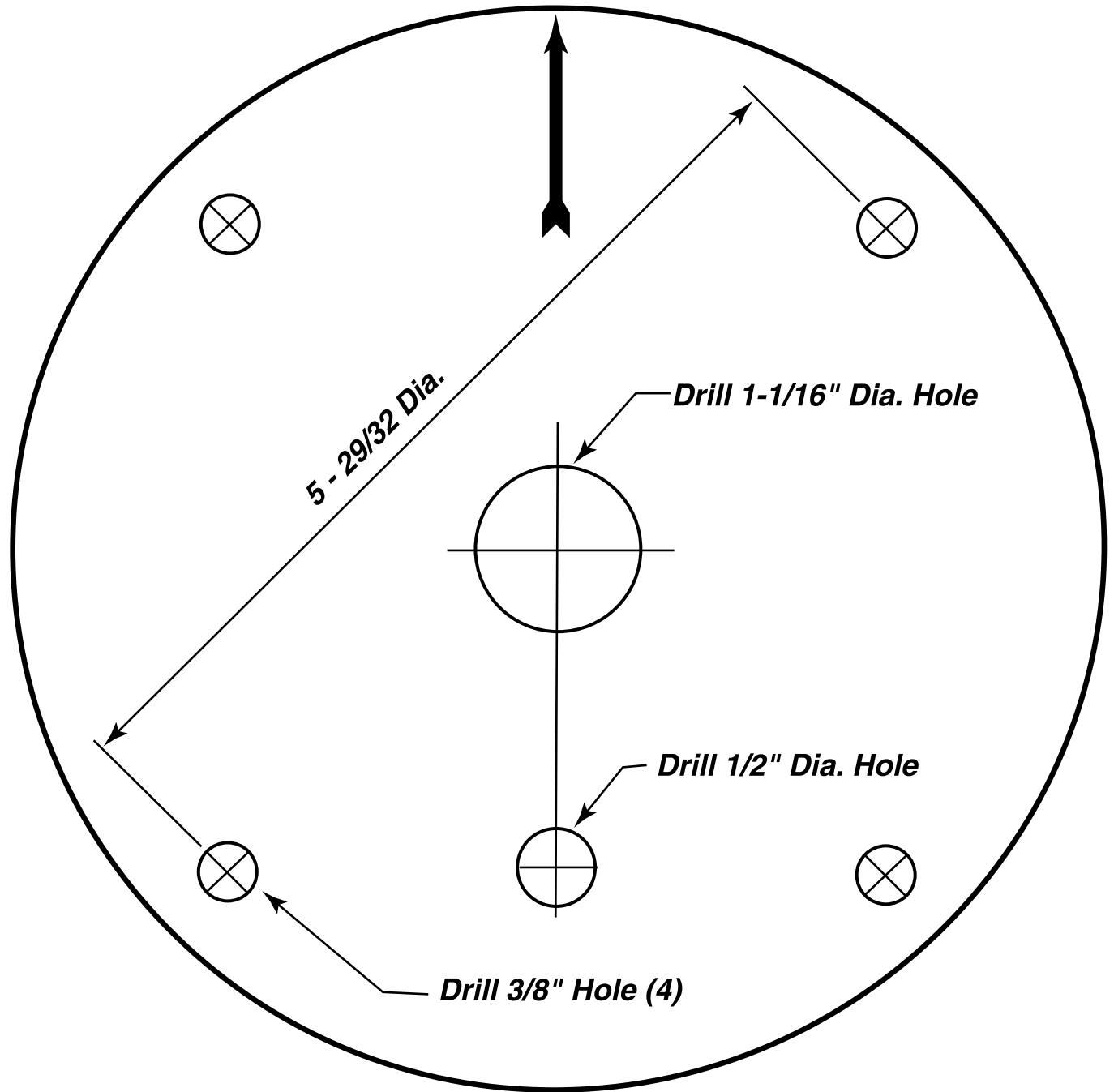
### Note 1: 0969 Series Control Assemblies

To Fit This Head Assembly	Control Assy. Fig. No.	"E" Dimension
0885OP	0969000	8-1/2 In.
	09690A0	15-1/2 In.
	09690B0	22-1/2 In.
	09690C0	29-1/2 In.
0885MP	0969M00	8-1/2 In.
	0969MA0	15-1/2 In.
	0969MB0	22-1/2 In.
	0969MC0	29-1/2 In.
0885HP	0969H00	8-1/2 In.
	0969HA0	15-1/2 In.
	0969HB0	22-1/2 In.
	0969HC0	29-1/2 In.

**NOTE 2:** LENGTHS OF VERTICAL CONTROL RODS AND HORIZONTAL CONTROL TUBES MUST BE SPECIFIED BY THE "E" DIMENSION AS SHOWN IN NOTE #1. IN ADDITION TO THE CONTROL ASSEMBLY CAT. NO. IN COLUMN TWO OF THE ABOVE CHART. OTHER DIMENSIONS ARE AVAILABLE ON SPECIAL ORDER BASIS.

<b>PERKO®</b>	
16490 N.W. 13th Avenue	Miami, FL 33169-5707
Date: 1-6-83	Drawn By: D. Beutler
Scale: None	Revised: 5/5/16
Cat. No. 0969 Series Searchlight Lever Gear Controls Fits: 0885 Series Searchlights	

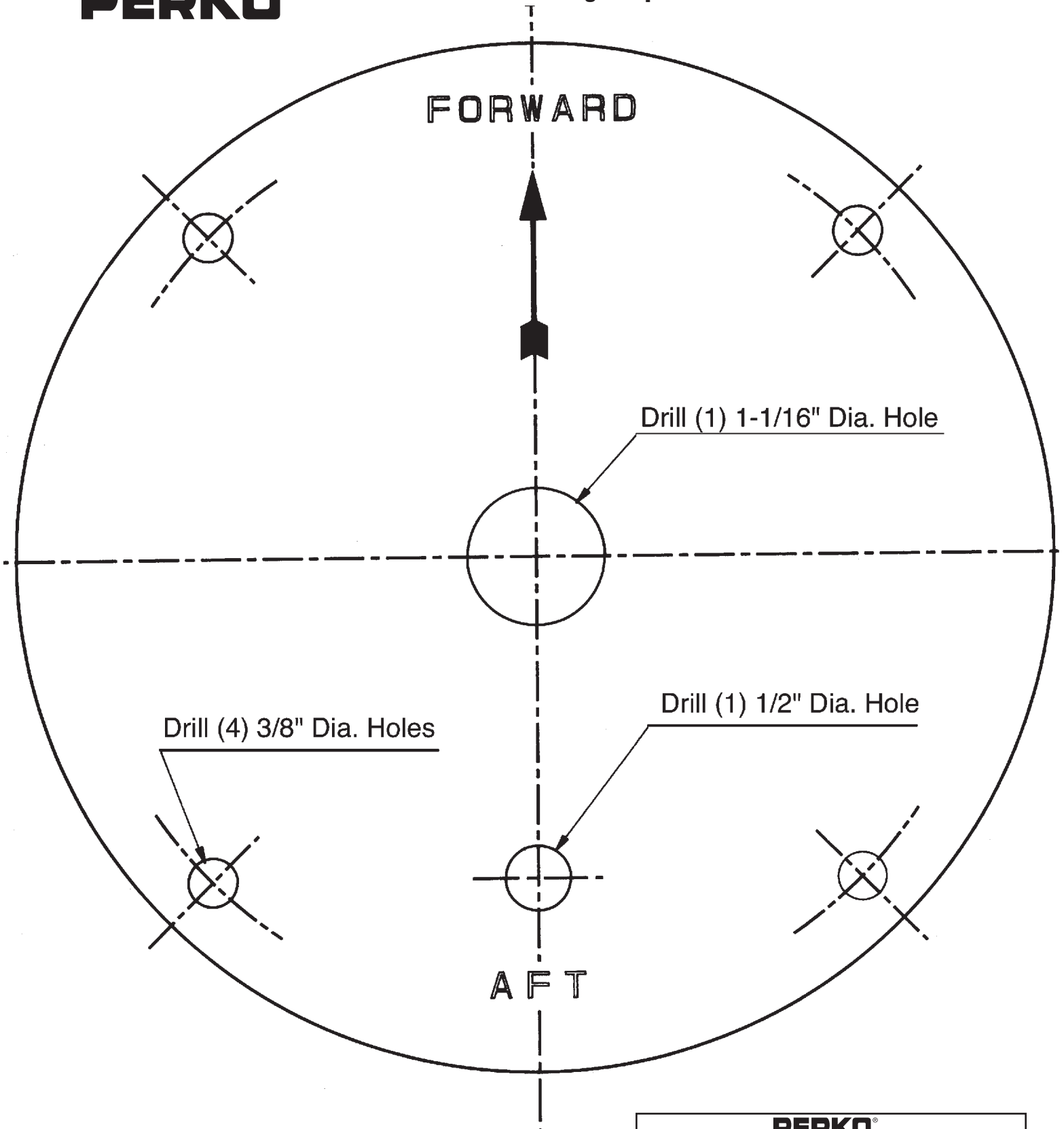
**FORWARD**



**AFT**

**Caution:** Check for correct searchlight base diameter before drilling mounting holes.

<b>PERKO®</b>	
16490 N.W. 13th Avenue	Miami, FL 33169-5707
Date: 4/11/95	Drawn By: H. Ahmed
Scale: Full	Checked By:
<b>7" BASE TEMPLATE</b>	
Base for Fig. Nos. 0883, 0884, 0885, 0305, 0313 (Standard Pedestal Only)	



**Caution:** Check for correct searchlight base diameter before drilling mounting holes.

<b>PERKO®</b>	
16490 N.W. 13th Avenue Miami, FL 33169-5707	
Date: 6/23/75	Drawn By: H. Ahmed
Scale: Full	Revised Date: 11/05/04
<b>8" BASE TEMPLATE</b>	
Base for Fig. Nos. 0883,0884,0885,0305,0313 (Med. & High Pedestal Mount Base Template)	

# **PERKO<sup>®</sup>**

## **SOLAR-RAY<sup>®</sup> SEARCHLIGHT**

### **ONE YEAR LIMITED WARRANTY**

PERKO, INC. (PERKO) warrants to the original commercial-purchaser that PERKO'S commercial products will be free from defective materials or workmanship, and that the PERKOPLATE/PERKO-KOTE Finish will remain corrosion-free under normal use and service, for a period of one (1) year from the original purchase date.

ALL IMPLIED WARRANTIES, INCLUDING MERCHANTABILITY, ARE ALSO LIMITED IN DURATION TO THE ONE YEAR PERIOD FROM THE ORIGINAL PURCHASE DATE.

PERKO SHALL NOT BE LIABLE FOR LOSS OF USE OF ANY OF ITS COMMERCIAL PRODUCTS, NOR FOR OTHER INCIDENTAL OR CONSEQUENTIAL COSTS, EXPENSES, OR DAMAGES INCURRED BY THE ORIGINAL COMMERCIAL-PURCHASER OR BY ANY OTHER PERSON.

SOME STATES DO NOT ALLOW LIMITATIONS ON HOW LONG AN IMPLIED WARRANTY LASTS, SO THE ABOVE LIMITATION MAY OR MAY NOT APPLY TO YOU. SOME STATES DO NOT ALLOW THE EXCLUSION OR LIMITATION OF INCIDENTAL OR CONSEQUENTIAL DAMAGES, SO THE ABOVE LIMITATION OR EXCLUSION MAY OR MAY NOT APPLY TO YOU.

This warranty is void if the commercial product warranted has been damaged by accident or unreasonable use, neglect, improper service or other cause not arising out of defects in material or workmanship. Excluded from this warranty are Electric Light Bulbs (lamps), Sealed Beam Units and Fuses.

During the warranty period, your PERKO product will either be repaired or it will be replaced with a like product (at PERKO's option) without charge to the original commercial-purchaser, when returned prepaid and insured, with proof-of-purchase date to PERKO at the address shown below. In the event of replacement, the replacement product will continue the warranty of the original product, or ninety (90) days, whichever is longer.

PERKO does not authorize any person or company to create for it any other obligation or liability in connection with any of its products.

**Serial Number** \_\_\_\_\_

**Date of Purchase** \_\_\_\_\_

(Retain with Proof-of-Purchase Documentation)

PERKO, Inc. • 16490 N.W. 13th Avenue • Miami, FL 33169-5707

9901 019 FRM