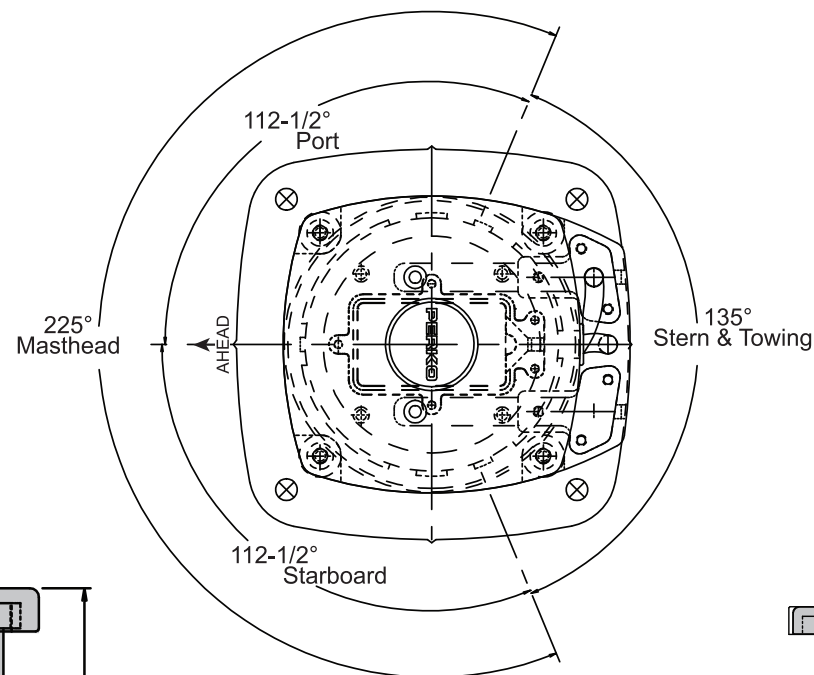


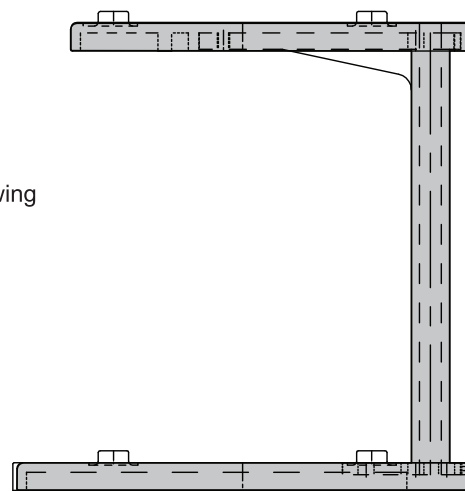


Fig. 1077 Red & Green Side Lights
 Fig. 1078 Masthead
 Figs. 1079 Stern & Towing Lights
 Figs. 1080 All-Round Lights

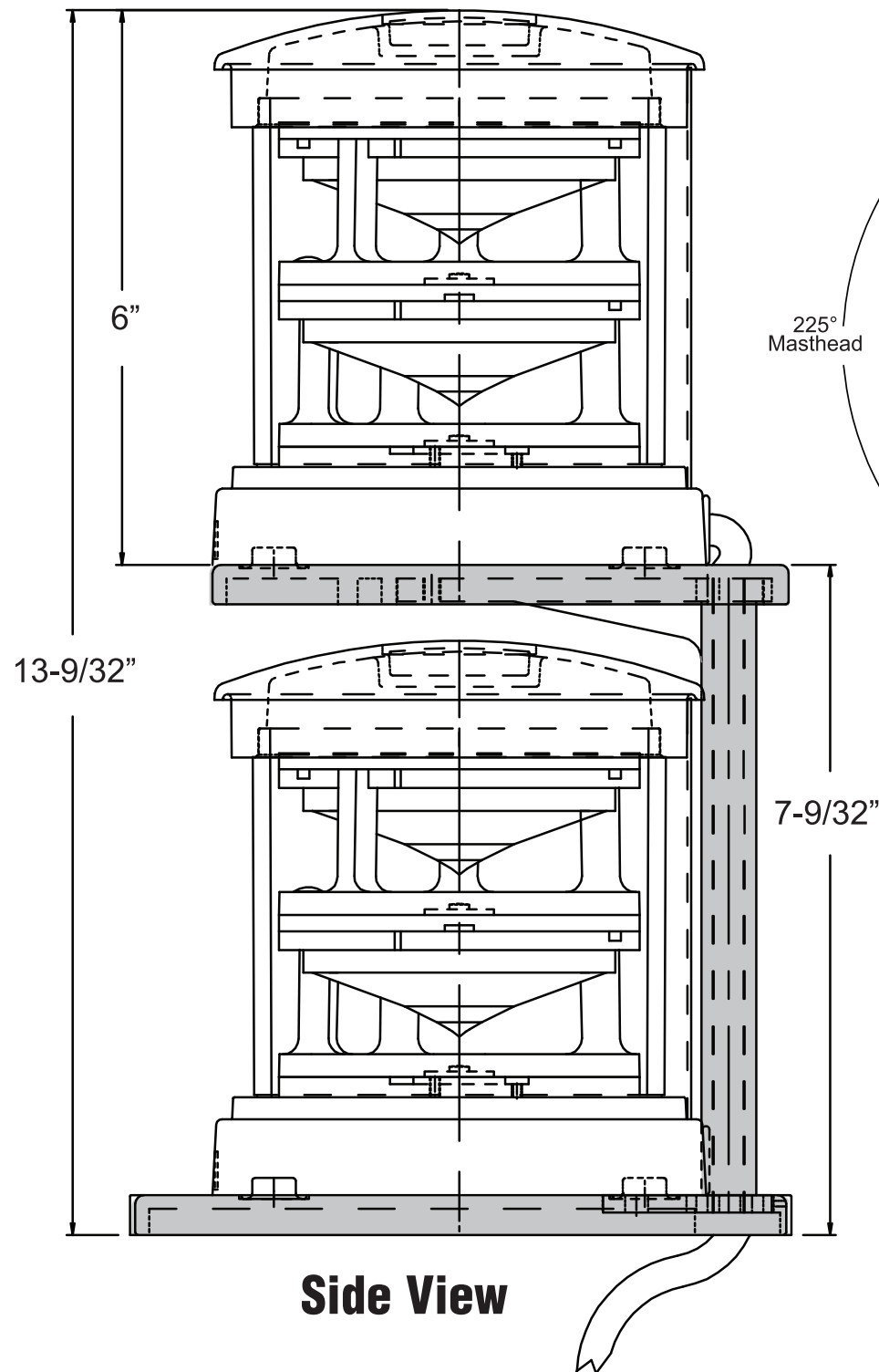
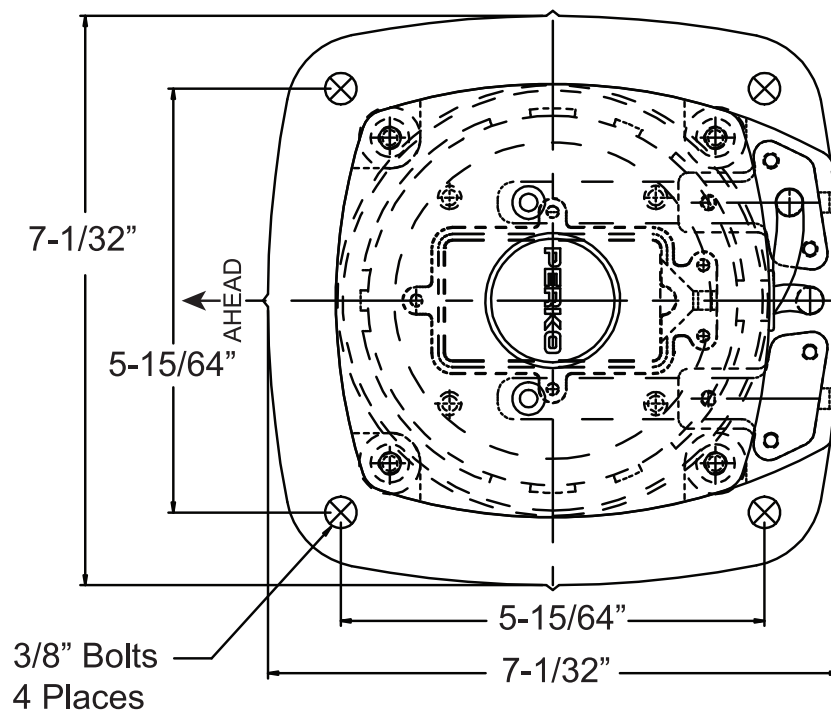
Arc Visibility Diagram



Mounting Bracket Fig. 1381



Top View



Side View

| VISIBILITY SPECIFICATIONS FOR VESSELS 20 METERS (65.6 FT.) TO 50 METERS (164.0 FT.) IN LENGTH | | | | |
|--|----------------|---------------------------------------|----------------|---------------------|
| BASIC CAT. NO. AND SUFFIX COLOR | BLACK OR WHITE | L.E.D. DESCRIPTION | PRESCRIBED ARC | VISIBILITY N. MILES |
| 1077R00 | BLK or WHT | RED SIDE LIGHT - 120/240 VAC | 112-1/2° | USCG 2nm |
| 1077R01 | BLK or WHT | RED SIDE LIGHT - 12/24 VDC | 112-1/2° | USCG 2nm |
| 1077G00 | BLK or WHT | GREEN SIDE LIGHT - 120/240 VAC | 112-1/2° | USCG 2nm |
| 1077G01 | BLK or WHT | GREEN SIDE LIGHT - 12/24 VDC | 112-1/2° | USCG 2nm |
| 1078000 | BLK or WHT | WHITE MASTHEAD LIGHT - 120/240 VAC | 225° | USCG 5nm |
| 1078001 | BLK or WHT | WHITE MASTHEAD LIGHT - 12/24 VDC | 225° | USCG 5nm |
| 1079000 | BLK or WHT | WHITE STERN LIGHT - 120/240 VAC | 135° | USCG 2nm |
| 1079001 | BLK or WHT | WHITE STERN LIGHT - 12/24 VDC | 135° | USCG 2nm |
| 1079M00 | BLK or WHT | YELLOW TOWING LIGHT - 120/240 VAC | 135° | USCG 2nm |
| 1079M01 | BLK or WHT | YELLOW TOWING LIGHT - 12/24 VDC | 135° | USCG 2nm |
| 1080000 | BLK or WHT | WHITE ALL-ROUND LIGHT - 120/240 VAC | 360° | USCG 2nm |
| 1080001 | BLK or WHT | WHITE ALL-ROUND LIGHT - 12/24 VDC | 360° | USCG 2nm |
| 1080H00 | BLK or WHT* | WHITE ALL-ROUND LIGHT - 120/240 VAC | 360° | USCG 5nm |
| 1080H01 | BLK or WHT* | WHITE ALL-ROUND LIGHT - 12/24 VDC | 360° | USCG 5nm |
| 1080GR0 | BLK or WHT* | GRN/RED ALL-ROUND LIGHT - 120/240 VAC | 360° | USCG 2nm |
| 1080GR1 | BLK or WHT* | GRN/RED ALL-ROUND LIGHT - 12/24 VDC | 360° | USCG 2nm |
| 1080R00 | BLK or WHT | RED ALL-ROUND LIGHT - 120/240 VAC | 360° | USCG 2nm |
| 1080R01 | BLK or WHT | RED ALL-ROUND LIGHT - 12/24 VDC | 360° | USCG 2nm |
| 1080G00 | BLK or WHT | GREEN ALL-ROUND LIGHT - 120/240 VAC | 360° | USCG 2nm |
| 1080G01 | BLK or WHT | GREEN ALL-ROUND LIGHT - 12/24 VDC | 360° | USCG 2nm |
| 1080M00 | BLK or WHT | YELLOW ALL-ROUND LIGHT - 120/240 VAC | 360° | USCG 2nm |
| 1080M01 | BLK or WHT | YELLOW ALL-ROUND LIGHT - 12/24 VDC | 360° | USCG 2nm |

* THIS 5 MILE WHITE ALL-ROUND LIGHT IS OPTIONAL FOR GREAT LAKES USAGE IN ACCORDANCE WITH THE U.S. INLAND NAVIGATION RULES ACT OF 1980.

| REPLACEMENT SINGLE LIGHTS & MOUNTING BRACKET | | | | |
|--|----------------|---------------------------------------|---|------------|
| BASIC CAT. NO. AND SUFFIX COLOR | BLACK OR WHITE | L.E.D. DESCRIPTION | REPLACEMENT SINGLE LIGHT BASIC CAT. NO. | COLOR** |
| 1077R00 | BLK or WHT | RED SIDE LIGHT - 120/240 VAC | 1377R00 | BLK or WHT |
| 1077R01 | BLK or WHT | RED SIDE LIGHT - 12/24 VDC | 1377R01 | BLK or WHT |
| 1077G00 | BLK or WHT | GREEN SIDE LIGHT - 120/240 VAC | 1377G01 | BLK or WHT |
| 1077G01 | BLK or WHT | GREEN SIDE LIGHT - 12/24 VDC | 1377G01 | BLK or WHT |
| 1078000 | BLK or WHT | WHITE MASTHEAD LIGHT - 120/240 VAC | 1378000 | BLK or WHT |
| 1078001 | BLK or WHT | WHITE MASTHEAD LIGHT - 12/24 VDC | 1378001 | BLK or WHT |
| 1079000 | BLK or WHT | WHITE STERN LIGHT - 120/240 VAC | 1379000 | BLK or WHT |
| 1079001 | BLK or WHT | WHITE STERN LIGHT - 12/24 VDC | 1379001 | BLK or WHT |
| 1079M00 | BLK or WHT | YELLOW TOWING LIGHT - 120/240 VAC | 1379M00 | BLK or WHT |
| 1079M01 | BLK or WHT | YELLOW TOWING LIGHT - 12/24 VDC | 1379M01 | BLK or WHT |
| 1080000 | BLK or WHT | WHITE ALL-ROUND LIGHT - 120/240 VAC | 1380000 | BLK or WHT |
| 1080001 | BLK or WHT | WHITE ALL-ROUND LIGHT - 12/24 VDC | 1380001 | BLK or WHT |
| 1080H00 | BLK or WHT* | WHITE ALL-ROUND LIGHT - 120/240 VAC | 1380H00 | BLK or WHT |
| 1080H01 | BLK or WHT* | WHITE ALL-ROUND LIGHT - 12/24 VDC | 1380H01 | BLK or WHT |
| 1080GR0 | BLK or WHT* | GRN/RED ALL-ROUND LIGHT - 120/240 VAC | 1380G00 & 1380R00 | BLK or WHT |
| 1080GR1 | BLK or WHT* | GRN/RED ALL-ROUND LIGHT - 12/24 VDC | 1380G01 & 1380R01 | BLK or WHT |
| 1080R00 | BLK or WHT | RED ALL-ROUND LIGHT - 120/240 VAC | 1380R00 | BLK or WHT |
| 1080R01 | BLK or WHT | RED ALL-ROUND LIGHT - 12/24 VDC | 1380R01 | BLK or WHT |
| 1080G00 | BLK or WHT | GREEN ALL-ROUND LIGHT - 120/240 VAC | 1380G00 | BLK or WHT |
| 1080G01 | BLK or WHT | GREEN ALL-ROUND LIGHT - 12/24 VDC | 1380G01 | BLK or WHT |
| 1080M00 | BLK or WHT | YELLOW ALL-ROUND LIGHT - 120/240 VAC | 1380M00 | BLK or WHT |
| 1080M01 | BLK or WHT | YELLOW ALL-ROUND LIGHT - 12/24 VDC | 1380M01 | BLK or WHT |
| | | REPLACEMENT MOUNTING BRACKET | 1381000BLK | BLACK |

**Please specify proper housing suffix color when ordering lights.
 Example: For 1077R00 order either Black 1377R00BLK or White 1377R00WHT

PERKO®

16490 N.W. 13th Avenue Miami, FL 33169-5707

Date: 2/5/15 Drawn By: H. Ahmed

Scale: None Revised: 6/12/20

**CAT. NOS. 1077-1080 SERIES LED
NAVIGATION LIGHTS DIMENSIONAL DRAWING**

Note: The American Boat & Yacht Council (ABYC) took over control & management of the UL-1104 standard from Underwriters Lab about 5 years ago. ABYC publishes and maintains many marine standards and is well known & respected by the Coast Guard. ABYC is in the process of reviewing the UL-1104 standard. They plan to republish UL-1104 in 2017 unchanged except for the use of the new designation A-1104. This is consistent with the ABYC standard numbering system. Perko is now using both either standard designation (A-1104 and/or UL-1104) in our literature, instructions and markings.

**INSTALLATION INSTRUCTIONS for
Cat. Nos. 1077 - 1080 Series
DOUBLE STACK FLEX MOUNT NAVIGATION LIGHTS**

The above lights are designed for use on vessels over 20 meters (65.6 ft.) in length, operating on a either a 12/24 VDC or 120/240 VAC volt electrical system. In order to comply with the '72 COLREGS and the U.S. Inland Rules, the following must be adhered to:

**MOUNTING INFORMATION
Read all instructions before proceeding.**

- (1). These instructions describe the installation of the lights after the proper mounting location has been determined. For proper light selection, positioning and configuration, refer to the '72 COLREGS*, U.S. Inland Navigation Rules* and/or other governing requirements applicable to the type and class of vessel.
- (2). These lights are designed to be mounted on a horizontal surface.
- (3). All electrical supply connections must be accomplished in accordance with applicable marine electrical standards and regulations and by a qualified marine electrician.
- (4). The lights selected to be installed in their respective compartments (upper and lower), must match the supply voltage to that compartment (12/24 VDC or 120/240 VAC).
- (5). Record information from the identification plate onto the "Navigation Light Certificate of Compliance" and store with the vessel's documents.
- (6). Align light by making sure that a reference line drawn through the fore-aft marks on the light is parallel to the fore-aft centerline of the vessel.
- (7). Using the base of the mounting bracket as a template, mark the mounting surface and drill for 3/8 inch bolts (5-15/64" CTC).
- (8). After bolting in place, re-check alignment.

*The above referenced regulations can be obtained from:
U.S. Coast Guard
Washington, D.C. 20593
(or your local C.G. office)

PERKO, INC.
16490 N.W. 13th Avenue
Miami, FL 33169-5707
www.perko.com

06/2020
1077INS1

PERKO®

NAVIGATION LIGHT CERTIFICATE OF COMPLIANCE

This navigation light has been tested and certified to the '72 COLREGS and the U.S. INLAND NAVIGATION RULES ACT OF 1980 in accordance with UL 1104 (ABYC A-1104). When properly installed, this light is approved by the U.S. Coast Guard for use aboard U.S. Coast Guard inspected vessels. This certification is also accepted by other inspecting authorities. An identification plate attached to the light provides official certification information in accordance with ABYC A-1104.

Upon installation, record information below from the identification plate, as applicable to the class of vessel on which the light is to be fitted.

Type of Light _____
(Masthead, Stern, All-Round Etc.)

Cat. No. _____
(1077R00BLK, 1080H00BLK, Etc.)

D.O.M. No. _____
(Die Stamped)

Vessel Length _____

Replacement Light Units

Upper Light Fixture _____ Voltage: _____
(Cat No. of Light ie: 1377R00BLK)

Lower Light Fixture _____ Voltage: _____
(Cat No. of Light ie: 1377R00WHT)

Date of Installation _____

Vessel Identification _____

12/17

PERKO, INC.
16490 N.W. 13th Avenue
Miami, FL 33169-5707
www.perko.com