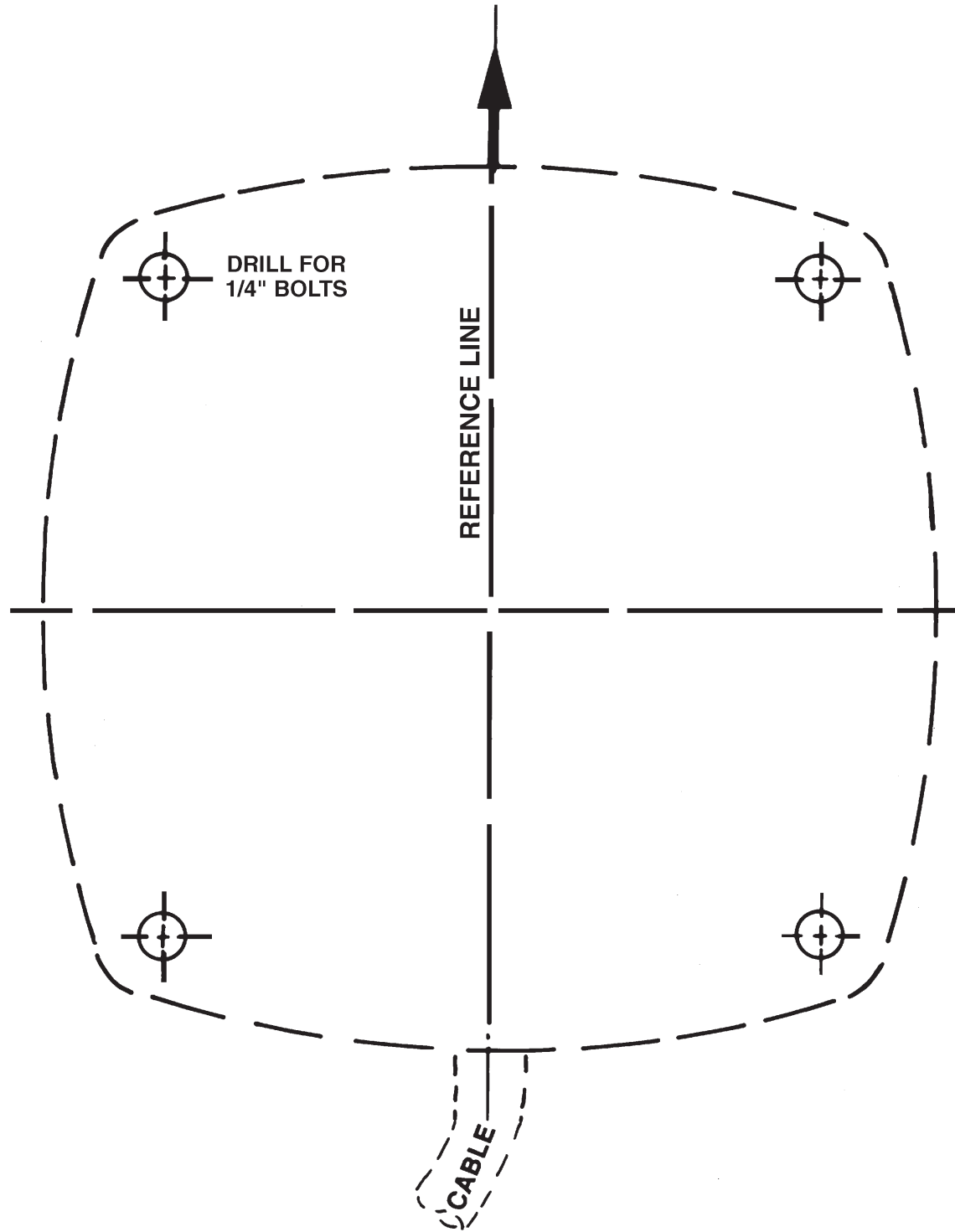


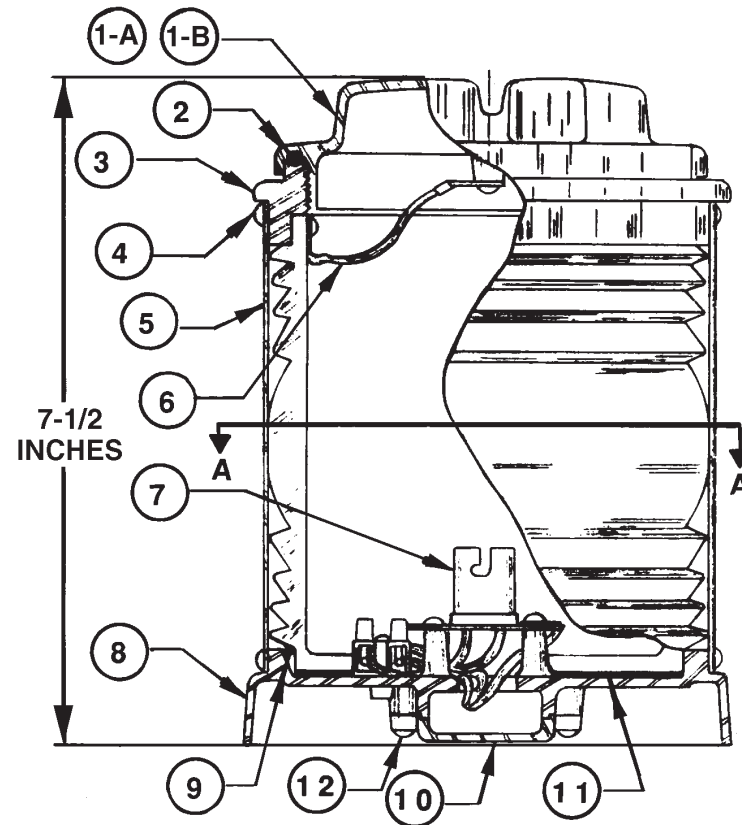
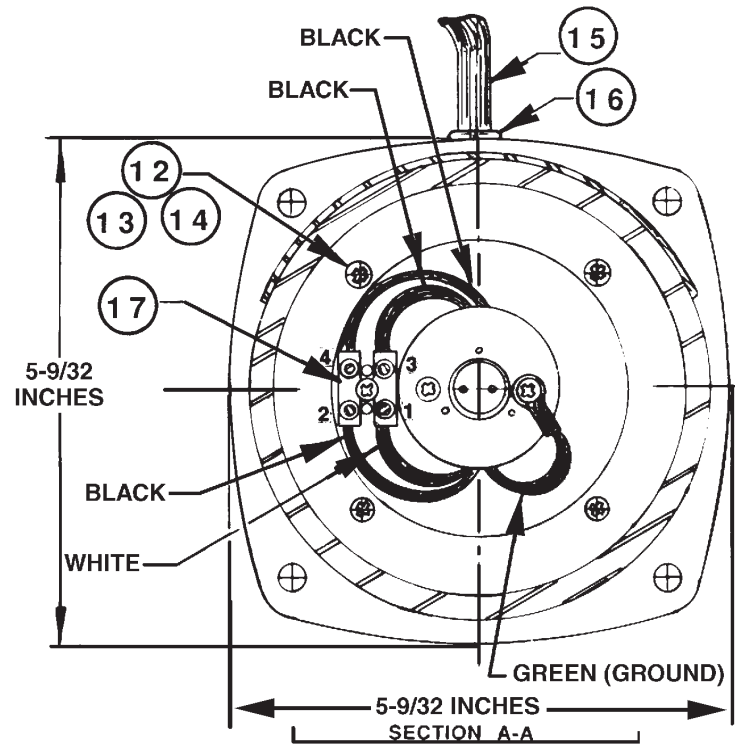
REFERENCE LINE SHALL BE PARALLEL TO CENTERLINE OF THE VESSEL AND POINTING: AHEAD FOR: SIDE AND MASTHEAD LIGHTS  
ASTERN FOR: STERN AND TOWING LIGHTS  
ANY DIRECTION FOR: ALL ROUND LIGHTS:

This is a 3/4" circle in order to scale internet printed templates

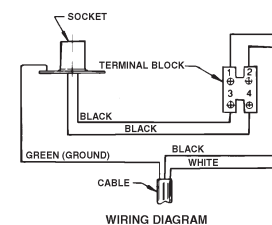


MOUNTING TEMPLATE FOR CAT. NOS. 1127 - 1130 SERIES

CUT HERE TO REMOVE MOUNTING TEMPLATE



TYPICAL CONFIGURATION



BILL OF MATERIAL

| Item | Cat. No.    | Description              | Quantity |      |      |      | Specification                |
|------|-------------|--------------------------|----------|------|------|------|------------------------------|
|      |             |                          | 1127     | 1128 | 1129 | 1130 |                              |
| 1a   | 1105000BLK  | Cap                      | 1        | 1    | 1    | 1    | BLK Polycarbonate            |
| 2    | 1119        | O-Ring, Cap              | 1        | 1    | 1    | 1    | 4-1/4" I.D. x 1/8" Thick     |
| 3    | See Note #1 | Lens and Ring Assembly   | 1        | 1    | 1    | 1    | BLK Polycarbonate            |
| 4    |             | Screw, Shield and Socket | 10       | 10   | 10   | 4    | Type 23-18-8 (#6 x 5/16")    |
| 5    |             | Shield                   | 1        | 1    | 1    | 1    | Alum. Powder Coating         |
| 6    |             | Cable, Cap Retainer      | 1        | 1    | 1    | 1    | 3/64 Dia. S/S                |
| 7    | 0134        | Socket (D.C. Bayonet)    | 1        | 1    | 1    | 1    | Brass                        |
| 8    |             | Base                     | 1        | 1    | 1    | 1    | BLK Fiberfill Nylon          |
| 9    |             | O-Ring, Base             | 1        | 1    | 1    | 1    | 4.264 I.D. x .068 Thick      |
| 10   |             | Cover, Wire, Box         | 1        | 1    | 1    | 1    | Fiberfill Polycarbonate      |
| 11   |             | Gasket, Lens             | 1        | 1    | 1    | 1    | Closed-Cell Neoprene         |
| 12   |             | Screw, Lens and Cover    | 9        | 9    | 9    | 9    | #8-B x 5/8 Long (P.H.)       |
| 13   |             | Washer, Split Lock       | 4        | 4    | 4    | 4    | #8                           |
| 14   |             | Washer, Flat             | 4        | 4    | 4    | 4    | 5/32 I.D.                    |
| 15   |             | Cable                    | 1        | 1    | 1    | 1    | 16/3 SJO (42-1/4" Long)      |
| 16   |             | Grommet, Cable           | 1        | 1    | 1    | 1    | 5/8 O.D. x 5/16 I.D. Grooved |
| 17   |             | Block, Terminal          | 1        | 1    | 1    | 1    | Weco, MFG, #323 HDS-02W      |

NOTES:

1. LENS - American made Fresnel, 360°, PERKO Cat. No. 0249 Series.

| LENS COLOR | USAGE                            | FOR LENS ASSY. ONLY |
|------------|----------------------------------|---------------------|
| White      | Masthead, Optional All-Round     | Cat. No. 0249000CLR |
| Red        | All-Round, Port SideLight        | Cat. No. 0249000RED |
| Green      | All-Round, Starboard SideLight   | Cat. No. 0249000GRN |
| Yellow     | All-Round, Towing                | Cat. No. 0249000YLW |
| Gray*      | All-Round, Stern                 | Cat. No. 0249000GRY |
| Blue       | Panama Canal Blue Steering Light | Cat. No. 0249000BLU |

\* Note: Gray lens produces white light.

2. Weight: 2-1/2 Lbs.

VISIBILITY & LAMP WATTAGE SPECIFICATIONS FOR VESSELS 20 METERS (65.6 FT.) TO 50 METERS (164.0 FT.) IN LENGTH

| BLACK PLASTIC CAT. NO. | DESCRIPTION             | PRESCRIBED ARC | VISIBILITY N. MILES |
|------------------------|-------------------------|----------------|---------------------|
| 1127RA0BLK             | RED SIDE LIGHT          | 112-1/2°       | 2                   |
| 1127GA0BLK             | GREEN SIDE LIGHT        | 112-1/2°       | 2                   |
| 1128A00BLK             | WHITE MASTHEAD LIGHT    | 225°           | 5                   |
| 1129A00BLK             | WHITE STERN LIGHT       | 135°           | 2                   |
| 1129MA0BLK             | YELLOW TOWING LIGHT     | 135°           | 2                   |
| 1129BA0BLK*            | BLUE PANAMA CANAL LIGHT | 135°           | 2                   |
| 1130A00BLK             | WHITE ALL-ROUND LIGHT   | 360°           | 2                   |
| 1130HA0BLK**           | WHITE ALL-ROUND LIGHT   | 360°           | 2                   |
| 1130RA0BLK             | RED ALL-ROUND LIGHT     | 360°           | 2                   |
| 1130GA0BLK             | GREEN ALL-ROUND LIGHT   | 360°           | 2                   |
| 1130MA0BLK             | YELLOW ALL-ROUND LIGHT  | 360°           | 2                   |

\* NOT USCG CERTIFIED  
\*\* THIS 5 MILE WHITE ALL-ROUND LIGHT IS OPTIONAL FOR GREAT LAKES USAGE IN ACCORDANCE WITH THE U.S. INLAND NAVIGATION RULES ACT OF 1980.

BULB DATA: THESE ARE SPECIAL NAVIGATION LAMPS. D.C. BAYONET BASE, C-8 FILAMENT. CLEAR, 1-3/8" L.C.L. AND MUST BE USED TO MEET THE 1972 COLREGS. AVAILABLE VERSIONS ARE LISTED BELOW.

| PERKO CAT NO. | VOLTAGE | CD | WATTAGE |
|---------------|---------|----|---------|
| 0374001CLR    | 12      | 24 | 30      |
| 0374002CLR    | 24      | 24 | 30      |
| 0374003CLR    | 32      | 24 | 30      |
| 0374004CLR    | 120     | 24 | 30      |

THESE LIGHTS MEET U.S. COAST GUARD REQUIREMENTS UNDER THE 1972 COLREGS AND ARE CLASSIFIED BY UNDERWRITER'S LABORATORIES STANDARD U.L. 1104 TO MEET THE 1972 COLREGS.

**PERKO®**  
16490 N.W. 13th Avenue Miami, FL 33169-5707  
Date: 11-21-83 Drawn By: D. Beutler  
Scale: None Revised: 9/13/11  
CAT. NO.S 1127 - 1130 "A" SERIES NAVIGATION LIGHTS

# NAVIGATION LIGHT CERTIFICATE OF COMPLIANCE

This navigation light has been tested and classified by UNDERWRITERS' LABORATORIES, INC. (U.L.) in accordance with the '72 COLREGS and the U.S. INLAND NAVIGATION RULES ACT OF 1980. When properly installed, and fitted with the correct lamp, this light is approved by the U.S. Coast Guard for use aboard U.S. Coast Guard inspected vessels. This certification is also accepted by other inspecting authorities. An identification plate attached to the light provides lamp replacement and official certification information.

Upon installation, record information below from the identification plate, as applicable to the class of vessel on which the light is to be fitted.

Type of Light \_\_\_\_\_  
(Starboard SideLight, Port SideLight or Masthead, Etc.)

Cat. No. \_\_\_\_\_  
(1127GA0BLK, 1127RA0BLK, 1128A00BLK, Etc.)

D.O.M. No. \_\_\_\_\_  
(Die Stamped on Brass Plate affixed to Light)

Vessel Length \_\_\_\_\_  
(Under 50 meters)

Replacement Lamp \_\_\_\_\_  
Cat No. of lamp (Must be selected to agree with supply voltage as indicated on the brass plate affixed to light).

Date of Installation \_\_\_\_\_

Vessel Identification \_\_\_\_\_

PERKO, INC.  
 16490 N.W. 13th Avenue  
 Miami, FL 33169-570  
 www.perko.com  
 7/18  
 1127INS1

| USCG Light Certifications |        |            |            |
|---------------------------|--------|------------|------------|
| Light                     | Color  | Visibility | Cat. No.   |
| Starboard                 | Green  | 2nm        | 1127RA0BLK |
| Port                      | Red    | 2nm        | 1127GA0BLK |
| Masthead                  | White  | 5nm        | 1128A00BLK |
| Stern                     | White  | 2nm        | 1129A00BLK |
| Towing                    | Yellow | 2nm        | 1129MA0BLK |
| All-Round                 | White  | 2nm        | 1130A00BLK |
| All-Round                 | White  | 5nm        | 1130HA0BLK |
| All-Round                 | Red    | 2nm        | 1130RA0BLK |
| All-Round                 | Green  | 2nm        | 1130GA0BLK |
| All-Round                 | White  | 2nm        | 1130A00BLK |
| All-Round                 | Yellow | 2nm        | 1130MA0BLK |

