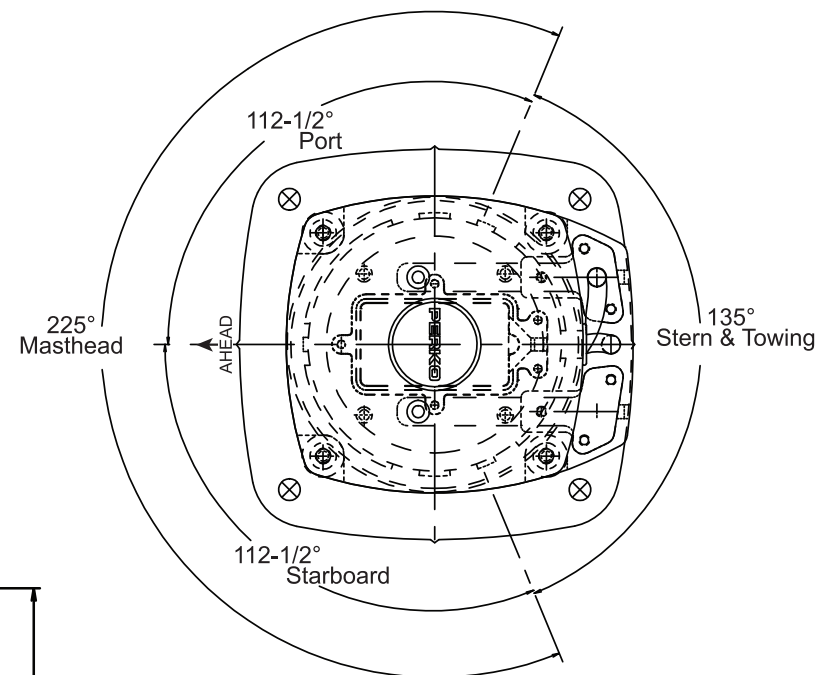
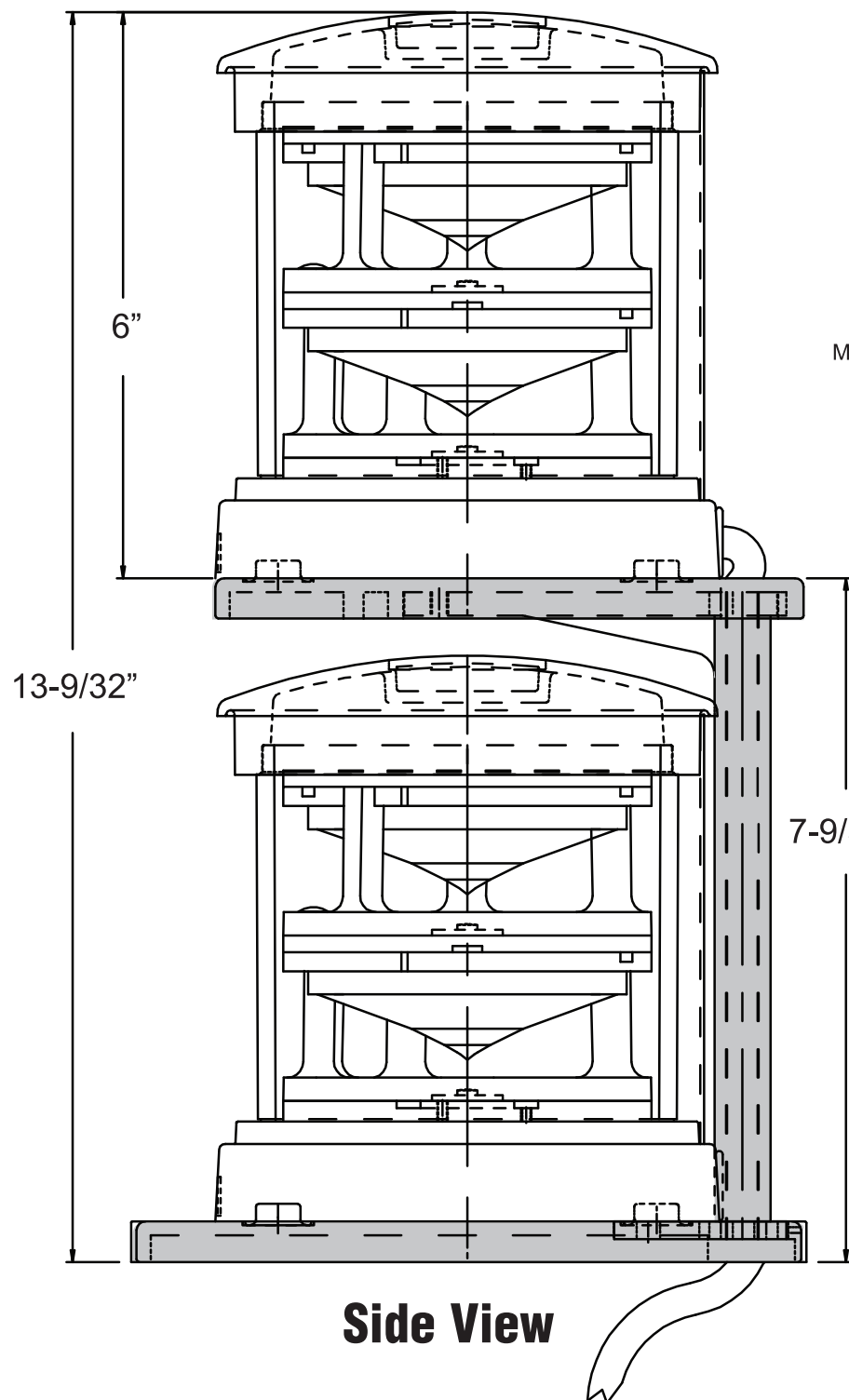
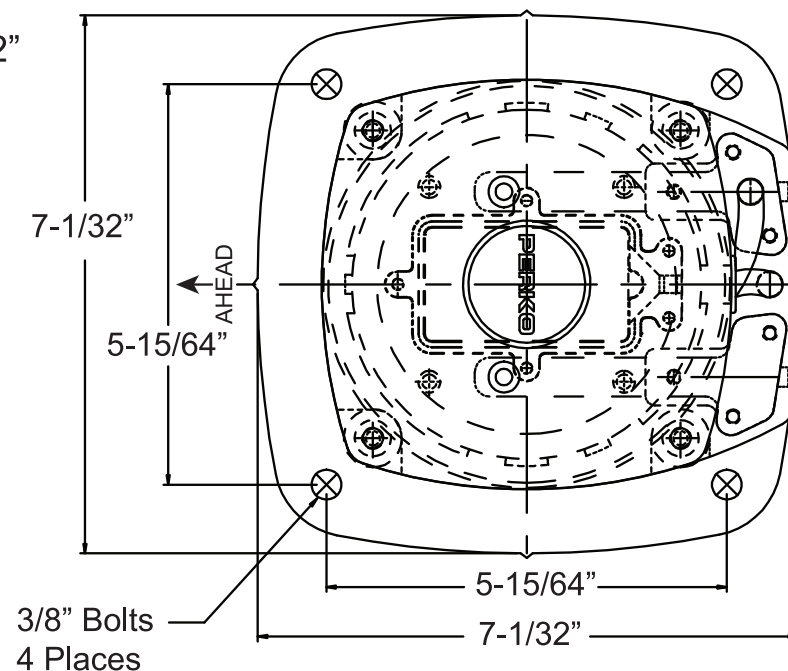


Fig. 1487 Red & Green Side Lights  
 Fig. 1488 Masthead  
 Figs. 1489 Stern & Towing Lights  
 Figs. 1490 All-Round Lights

### Arc Visibility Diagram

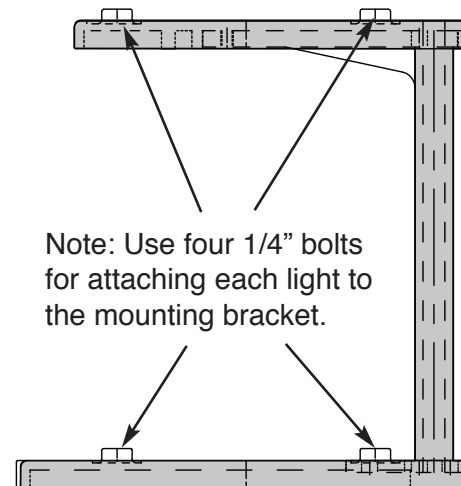


### Top View



### Side View

### Mounting Bracket Fig. 1381



### VISIBILITY SPECIFICATIONS FOR VESSELS OVER 20 METERS (65.6 FT.) IN LENGTH

DBL LIGHT CAT. NO.	L.E.D. DESCRIPTION	PRESCRIBED ARC	VISIBILITY N. MILES	CERTIFICATION DATE
1487R00BLK	RED SIDE LIGHT - 120/240 VAC	112-1/2°	USCG 3nm	10/10/18
1487R01BLK	RED SIDE LIGHT - 12/24 VDC	112-1/2°	USCG 3nm	10/10/18
1487G00BLK	GREEN SIDE LIGHT - 120/240 VAC	112-1/2°	USCG 3nm	10/17/13
1487G01BLK	GREEN SIDE LIGHT - 12/24 VDC	112-1/2°	USCG 3nm	06/05/15
1488000BLK	WHITE MASTHEAD LIGHT - 120/240 VAC	225°	USCG 6nm	04/05/17
1488001BLK	WHITE MASTHEAD LIGHT - 12/24 VDC	225°	USCG 6nm	04/07/17
1489000BLK	WHITE STERN LIGHT - 120/240 VAC	135°	USCG 3nm	10/24/17
1489001BLK	WHITE STERN LIGHT - 12/24 VDC	135°	USCG 3nm	10/24/17
1490000BLK	WHITE ALL-ROUND LIGHT - 120/240 VAC	360°	USCG 3nm	10/24/17
1490001BLK	WHITE ALL-ROUND LIGHT - 12/24 VDC	360°	USCG 3nm	10/24/17
1490H00BLK*	WHITE ALL-ROUND LIGHT - 120/240 VAC	360°	USCG 6nm	08/23/17
1490R00BLK	RED ALL-ROUND LIGHT - 120/240 VAC	360°	USCG 3nm	10/24/17
1490R01BLK	RED ALL-ROUND LIGHT - 12/24 VDC	360°	USCG 3nm	10/24/17
1490G00BLK	GREEN ALL-ROUND LIGHT - 120/240 VAC	360°	USCG 3nm	10/24/17
1490G01BLK	GREEN ALL-ROUND LIGHT - 12/24 VDC	360°	USCG 3nm	10/24/17

\* THIS 6 MILE WHITE ALL-ROUND LIGHT IS OPTIONAL FOR GREAT LAKES USAGE IN ACCORDANCE WITH THE U.S. INLAND NAVIGATION RULES ACT OF 1980.

### REPLACEMENT SINGLE LIGHTS & MOUNTING BRACKET

FOR DBL LIGHT CAT. NO.	L.E.D. LIGHT DESCRIPTION	ORDER REPLACEMENT SINGLE LIGHT CAT. NO.
1487R00BLK	RED SIDE LIGHT - 120/240 VAC	1377R00BLK
1487R01BLK	RED SIDE LIGHT - 12/24 VDC	1377R01BLK
1487G00BLK	GREEN SIDE LIGHT - 120/240 VAC	1377G01BLK
1487G01BLK	GREEN SIDE LIGHT - 12/24 VDC	1377G01BLK
1488000BLK	WHITE MASTHEAD LIGHT - 120/240 VAC	1378000BLK
1488001BLK	WHITE MASTHEAD LIGHT - 12/24 VDC	1378001BLK
1489000BLK	WHITE STERN LIGHT - 120/240 VAC	1379000BLK
1489001BLK	WHITE STERN LIGHT - 12/24 VDC	1379001BLK
1490000BLK	WHITE ALL-ROUND LIGHT - 120/240 VAC	1380000BLK
1490001BLK	WHITE ALL-ROUND LIGHT - 12/24 VDC	1380001BLK
1490H00BLK*	WHITE ALL-ROUND LIGHT - 120/240 VAC	1380H00BLK
1490R00BLK	RED ALL-ROUND LIGHT - 120/240 VAC	1380R00BLK
1490R01BLK	RED ALL-ROUND LIGHT - 12/24 VDC	1380R01BLK
1490G00BLK	GREEN ALL-ROUND LIGHT - 120/240 VAC	1380G00BLK
1490G01BLK	GREEN ALL-ROUND LIGHT - 12/24 VDC	1380G01BLK
	REPLACEMENT MOUNTING BRACKET	1381000BLK

Note: The American Boat & Yacht Council (ABYC) took over control & management of the UL-1104 standard from Underwriters Lab about 5 years ago. ABYC publishes and maintains many marine standards and is well known & respected by the Coast Guard. ABYC is in the process of reviewing the UL-1104 standard. They plan to republish UL-1104 in 2017 unchanged except for the use of the new designation A-1104. This is consistent with the ABYC standard numbering system. Perko is now using both either standard designation (A-1104 and/or UL-1104) in our literature, instructions and markings.

**INSTALLATION INSTRUCTIONS for  
Cat. Nos. 1487 - 1490 Series  
DOUBLE STACK FLEX MOUNT NAVIGATION LIGHTS**

The above lights are designed for use on vessels over 20 meters (65.6 ft.) in length, operating on a either a 12/24 VDC or 120/240 VAC volt electrical system. In order to comply with the '72 COLREGS and the U.S. Inland Rules, the following must be adhered to:

**MOUNTING INFORMATION  
Read all instructions before proceeding.**

- (1). These instructions describe the installation of the lights after the proper mounting location has been determined. For proper light selection, positioning and configuration, refer to the '72 COLREGS\*, U.S. Inland Navigation Rules\* and/or other governing requirements applicable to the type and class of vessel.
- (2). These lights are designed to be mounted on a horizontal surface.
- (3). All electrical supply connections must be accomplished in accordance with applicable marine electrical standards and regulations and by a qualified marine electrician.
- (4). The lights selected to be installed in their respective compartments (upper and lower), must match the supply voltage to that compartment (12/24 VDC or 120/240 VAC).
- (5). Record information from the identification plate onto the "Navigation Light Certificate of Compliance" and store with the vessel's documents.
- (6). Align light by making sure that a reference line drawn through the fore-aft marks on the light is parallel to the fore-aft centerline of the vessel.
- (7). Using the base of the mounting bracket as a template, mark the mounting surface and drill for 3/8 inch bolts (5-15/64" CTC).
- (8). After bolting in place, re-check alignment.

\*The above referenced regulations can be obtained from:  
U.S. Coast Guard  
Washington, D.C. 20593  
(or your local C.G. office)

PERKO, INC.  
16490 N.W. 13th Avenue  
Miami, FL 33169-5707  
www.perko.com

03/19  
1487INS1

**PERKO®**

**NAVIGATION LIGHT CERTIFICATE OF COMPLIANCE**

This navigation light has been tested and certified to the '72 COLREGS and the U.S. INLAND NAVIGATION RULES ACT OF 1980 in accordance with UL 1104 (ABYC A-1104). When properly installed, this light is approved by the U.S. Coast Guard for use aboard U.S. Coast Guard inspected vessels. This certification is also accepted by other inspecting authorities. An identification plate attached to the light provides official certification information in accordance with ABYC A-1104.

Upon installation, record information below from the identification plate, as applicable to the class of vessel on which the light is to be fitted.

Type of Light \_\_\_\_\_  
(Masthead, Stern, All-Round Etc.)

Cat. No. \_\_\_\_\_  
(1487R00BLK, 1490H00BLK, Etc.)

D.O.M. No. \_\_\_\_\_  
(Die Stamped)

Vessel Length \_\_\_\_\_

**Replacement Light Units**

Upper Light Fixture \_\_\_\_\_ Voltage: \_\_\_\_\_  
(Cat No. of Light ie: 1377R00BLK)

Lower Light Fixture \_\_\_\_\_ Voltage: \_\_\_\_\_  
(Cat No. of Light ie: 1377R00WHT)

Date of Installation \_\_\_\_\_

Vessel Identification \_\_\_\_\_

03/19

PERKO, INC.  
16490 N.W. 13th Avenue  
Miami, FL 33169-5707  
www.perko.com