

PERKO® Cat. No. 1673 Series L.E.D. Combination Masthead and All-Round (Anchor) Light Cat. No. 1674 Series L.E.D. Combination Masthead and All-Round (Anchor) Light



The above lights are designed for use on sail or power driven vessels under 20 meters (65.6 ft.) in length operating on a nominal 12 volt system. In order to comply with '72 COLREGS and the U.S. Inland Rules, the following must be adhered to:

MOUNTING INFORMATION

Read all instructions before proceeding.

- 1). These lights are designed to be mounted on an angled surface of 45 degrees from the vertical. Adhere to instruction #8 below during selection of mounting surface.
- 2). Draw a 6 inch long reference line through the center of the selected mounting location and parallel to a vertical plane through fore-aft centerline of the boat. (A 6 inch optional horizontal reference line through the center of the selected mounting location and perpendicular to the fore-aft centerline of the boat can be drawn for Cat. Nos. 1673 series only.)
- 3). Cut out the proper mounting template below. Tape it onto the mounting surface such that the reference line (drawn above) is directly underneath the corresponding reference line marked on the template.
- 4). Drill indicated holes through the template to accommodate #8 oval head mounting screws and electrical supply as required.
- 5). **IMPORTANT:** If wiring light into a new installation (or an installation with a new switching arrangement), use wiring diagram (A). If replacing a similar two compartment light (incandescent combination masthead/anchor) light, use wiring diagram (B) with Perko Cat. No. 1680DP012V 12 volt converter module or reswitch the navigation lights to match wiring diagram (A). Direct wire to wire replacement of an older style incandescent light with this new style L.E.D. light will not work.

Attach supply connections to the light making sure to wire in accordance with both A.B.Y.C. Standard E4* and U.S. Coast Guard Safety Standards for Boat Electrical Systems (33 CFR 183)*. The supply leads are coded as follows:

- WHITE: Forward compartment only (masthead light) positive lead supply.
- GRAY or RED: Forward compartment and aft compartment (anchor light) positive lead supply.
- BLACK: Negative lead supply.

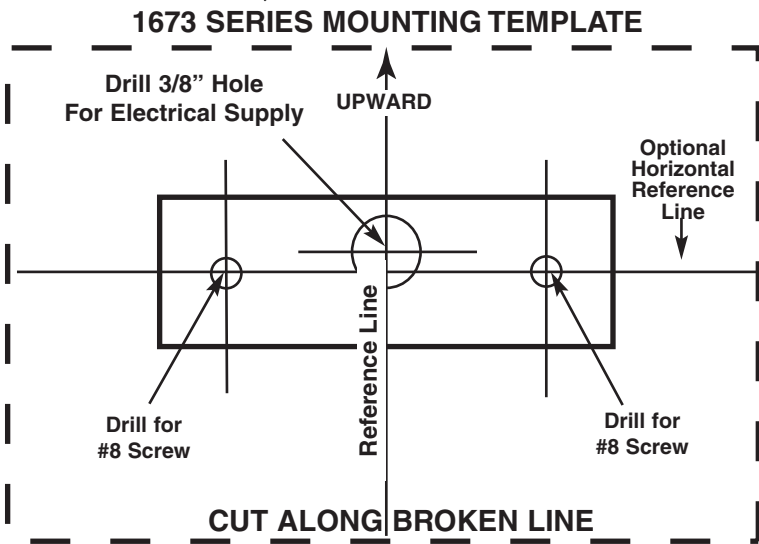
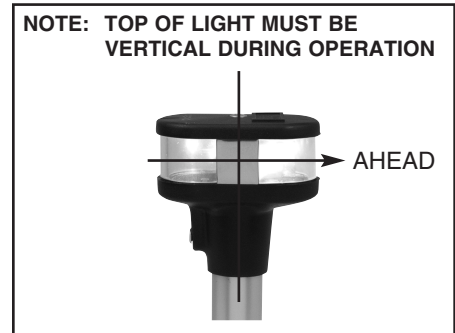
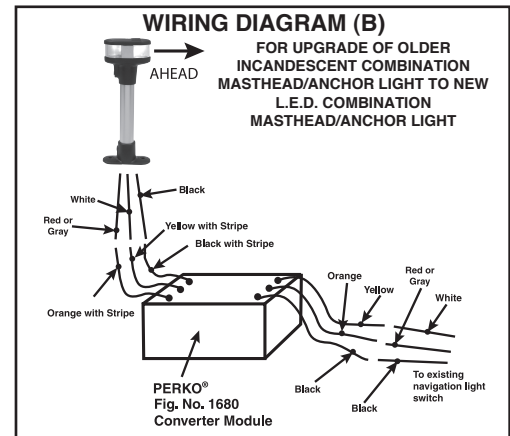
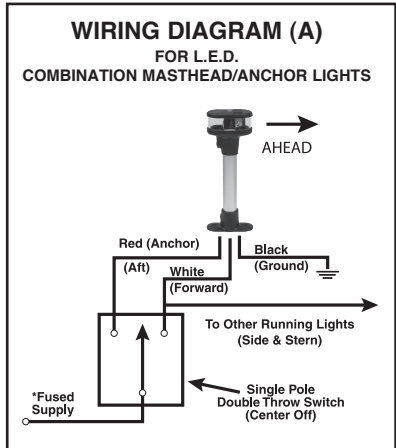
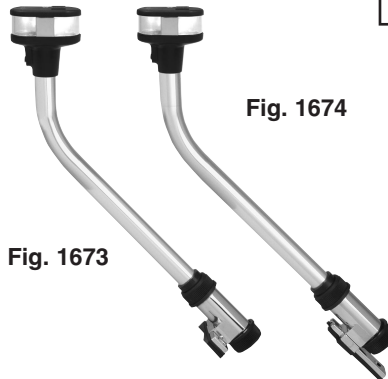
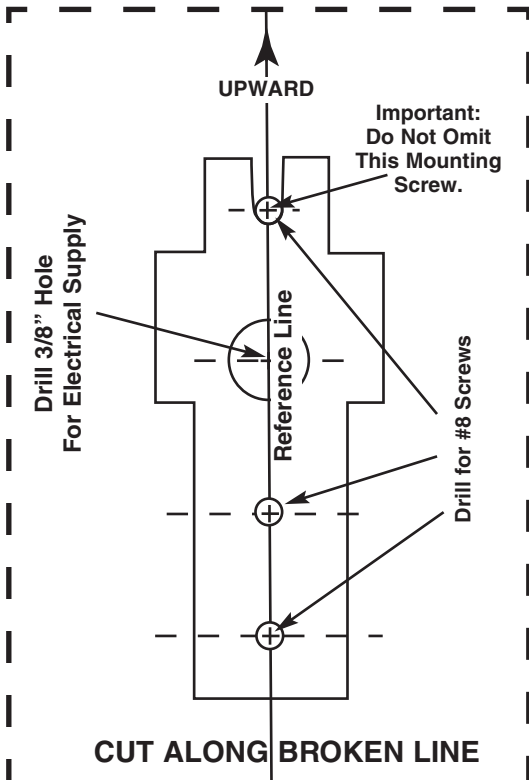
Electrical connections are to be made such that only the forward compartment (masthead light) is energized with the other running lights (sidelights, stern light, etc.) while underway. Both compartments are energized simultaneously by themselves to create the all-round (anchor) light.

- 6). Mount the base in accordance with the template. A plastic mounting insulator (supplied) and stainless steel fasteners may be used between the base and mounting surface to reduce the possibility of electrolysis on dissimilar metals.
- 7). Insert the pole into the base and engage the electrical connector. Tighten the black collar. Test the lighting system to ensure desired operation. When light is not in use, remove it from base and use black cover stored on bottom of the base to cover the connections.
- 8). Make sure the top of the light is vertical during operation (see illustration) and the arrow on the top cover points ahead (not astern), with the reference marks parallel to the fore-aft centerline of the boat.

- * The above referenced standards can be obtained from:
- (1). American Boat & Yacht Council, Inc. 613 Third Street, Suite 10 Annapolis, MD 21403
 - (2). U.S. Coast Guard Washington, D.C. 20593 (or your local C.G. office)

PERKO, Inc.
16490 N.W. 13th Avenue
Miami, FL 33169-5707
www.perko.com

1674 SERIES MOUNTING TEMPLATE



This is a 3/4" circle in order to scale internet printed templates