

LED COCKPIT LOUVER LIGHT

Features & Benefits

Features:

- Low profile courtesy light
- Directs light downward towards floor or step

Benefits:

- Low energy draw to preserve battery life
- Perfect for illuminating deck areas and passageways
- Nearly flush mount, does not obstruct walkway
- Long lasting/great looking

Technical Specifications

Material & Finish:

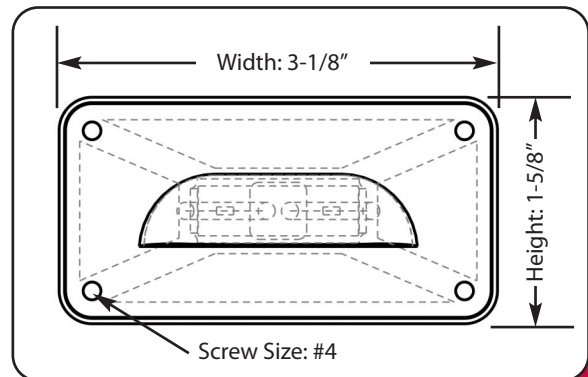
- Stainless Steel
- Black Polymer

Technical and Dimensions:

- Supplied with 6" Pig Tail Wire Leads
- LED: 12 Volt, <.5 Watts, Draws <.03 amps
- Projection from mounting surface: 5/16"



Fig. 1033



16490 N.W. 13th Avenue • Miami, FL 33169-5707
www.perko.com

